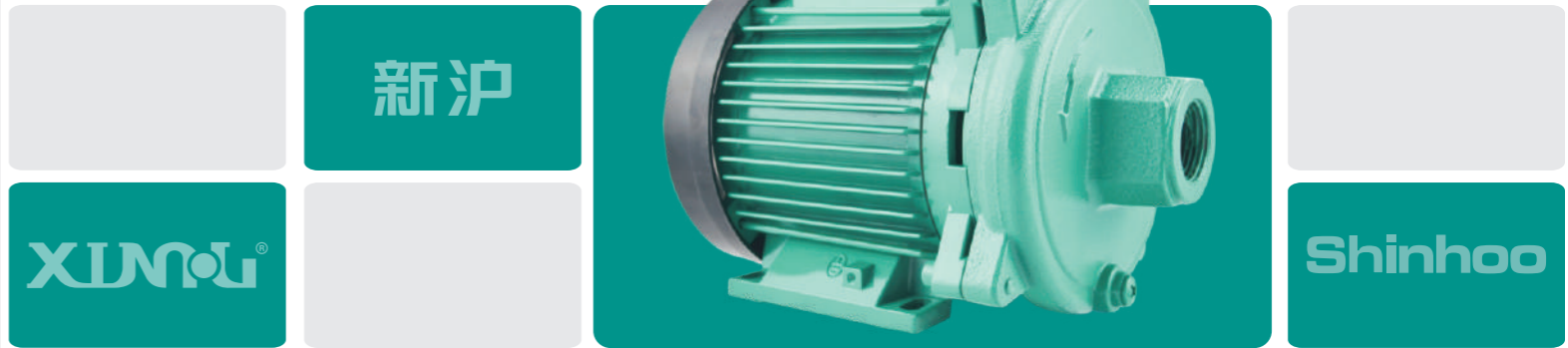


**HOUSEHOLD
PUMPS**

Shinhoo®



HOUSEHOLD PUMPS

HEFEI XINHU CANNED MOTOR PUMP CO.,LTD

Add: No.1 Yanglin Road, Hi-tech Development Zone, Hefei, Anhui, P.R.China
Http: www.shinhuopump.com

P.R.China
Tel: +86-551-62379800
Fax: +86-551-62379800

International
Tel: +86-551-62379803
Fax: +86-551-62379801

Company Online
Alibaba: <http://shxinhu.en.alibaba.com/>

HEFEI XINHU CANNED MOTOR PUMP CO.,LTD

PUT HEART AND SOUL INTO MAKING GOOD PUMPS

A STRONG HEART TO THE SYSTEM

Contents

Company Profile	01
Hot Water Circulating Pump	03
Vortex Booster Pump	05
Centrifugal Automatic Booster Pump	09
Pressure Centrifugal Pump	13
Horizontal Multistage Centrifugal Pump	15





Company Profile

Introduction of Hefei Xinhu Canned Motor Pump Co., Ltd. (Shinhoo)

As a wholly-owned subsidiary of Zhejiang Dayuan PumpsIndustrial Co., Ltd. (Shanghai Stock Exchangestock code: 603757) , Shinhoo is specialized in canned motor pump Manufacturing.

In order to satisfy the rising market demand, in 2007 our large production base was constructed with the total investment of 300 million Chinese Yuan in National Hi-Tech Developing Zone in Hefei, Anhui Province, China. In the end of 2009, our new plant with the floor area of 100,000 Square meters started running.

Based on the standard of ISO 9001:2015 Quality management system, ISO14001:2015 Environment management system and OHSAS18001:2007Occupation Health and Safety Management System, Shinhoo established a complete set of design, producing, marketing and service system. As required by different countries and areas, our related products successfullyobtained certifications such as CCC, GS, UL and CE as well as passed required tests such as RoHS, REACH and EEI. All of these ensured the safety, stability, reliability, durability and legality of our products in the market. We have formed our own core competitiveness as well as the space for sustainable development with sufficient material resources, reinforced regulation system and high tech talents we gathered.

As amember units of national pump standardization technical committee as well as Crane, Metallurgical Motors and Canned Motors standardization technical committeeof national electric rotating machinery standardization technicalcommittee,we participated drafting work of a series of standards regarding canned motor and canned motor pumps. We are committed to product research and development as well as quality promotion with orientation of customers' requirement. We offer professional solutions for general and special requirements regarding non-leakages delivery of various kinds for fluid. Our products are sold abroad to many countries in America, Europe, Asia and other areas being widely used in chemical industry, petrification, petroleum refining, textile industry, locomotive, central air conditioning, aerospace, military industry, nuclear power, air conditioning system cooling and heating circulation, construction, environment protection, ventilation and new energy. With reliable quality and attentive service, we have gained a high reputation in the market.

We sincerely hope to cooperate with you for a splendid future together.

Hot Water Circulating Pump

PH-041/101/123/251/253/254/402/403/403Q/1501Q/2201Q



PH-041/042



PH-101



PH-123/251/253



PH-254



PH-402/402Q/403/403Q



PH-1501Q/2201Q

Feature :

- 1) Pipeline installation , easy connection
- 2) Compact structure , space-saving
- 3) Low noise , long durability

Application :

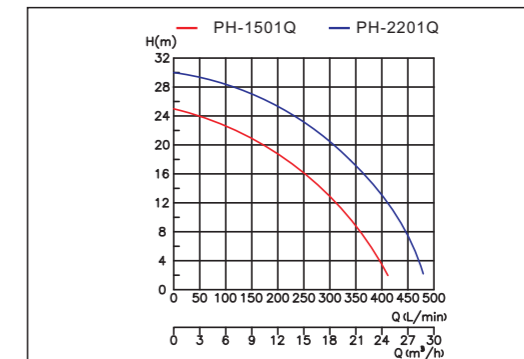
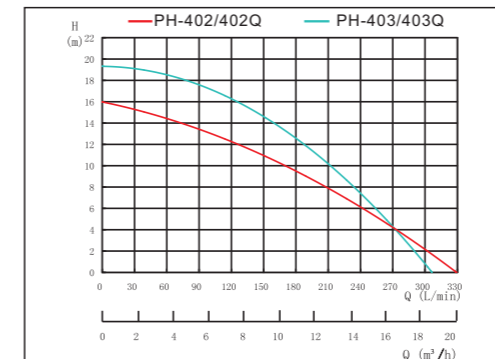
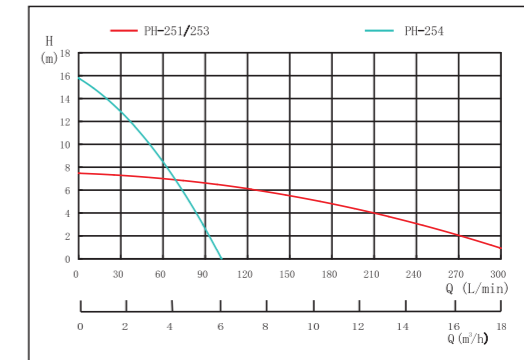
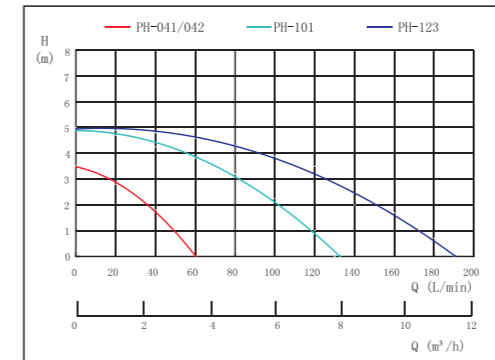
- 1) Hot water circulation and heating system
- 2) Air source, Solar energy, AC System
- 3) Industrial circulating system
- 4) Domestic water booster

Specification											
Model	PH-041	PH-101	PH-123	PH-251	PH-253	PH-254	PH-402	PH-403	PH-403Q	PH-1501Q	PH-2201Q
Electrical connection											
Power source	1-220V/50Hz						3-380V/50Hz				
Input Power (W)	90	200	265	410	410	330	900	1000	1000	1750	2800
Output Power (W)	40	100	125	250	250	250	400	400	400	1500	2200
Applications											
Approved Fluids	Clean Water										
Fluid Temperature (°C)	0-100										
Performance Data											
Max Head (m)	3.5	5	5	7.5	7.5	15	16	20	20	25	30
Max Flow (L/min)	60	130	190	230	230	100	310	300	300	417	467
Rated Flow (L/min)	28	85	135	190	190	50	180	130	130	266	308
Rated Head (m)	2.5	3	3	4	4	10	10	16	16	19	20
Inlet Size (mm)	25	40	50	65	50	40	80	50	50	50	50
Outlet Size (mm)	25	40	50	65	50	40	80	50	50	50	50
Max Pressure (bar)	2.0	2.0	2.0	2.0	2.0	3.0	5.0	5.0	5.0	5.0	5.0
Protection Class	IP22	IP22	IP22	IP22	IP22	IP44	IP44	IP44	IP55	IP55	IP55
Weight (kg)	4.2	8.5	11.5	17	17	10	25	25	33	33	35
Materials											
Pump Body	Cast Iron										
Impeller	Engineering plastic						Copper	Cast Iron			
Shaft	Stainless Steel										
Mechanical Seal	Graphite & Ceramic										

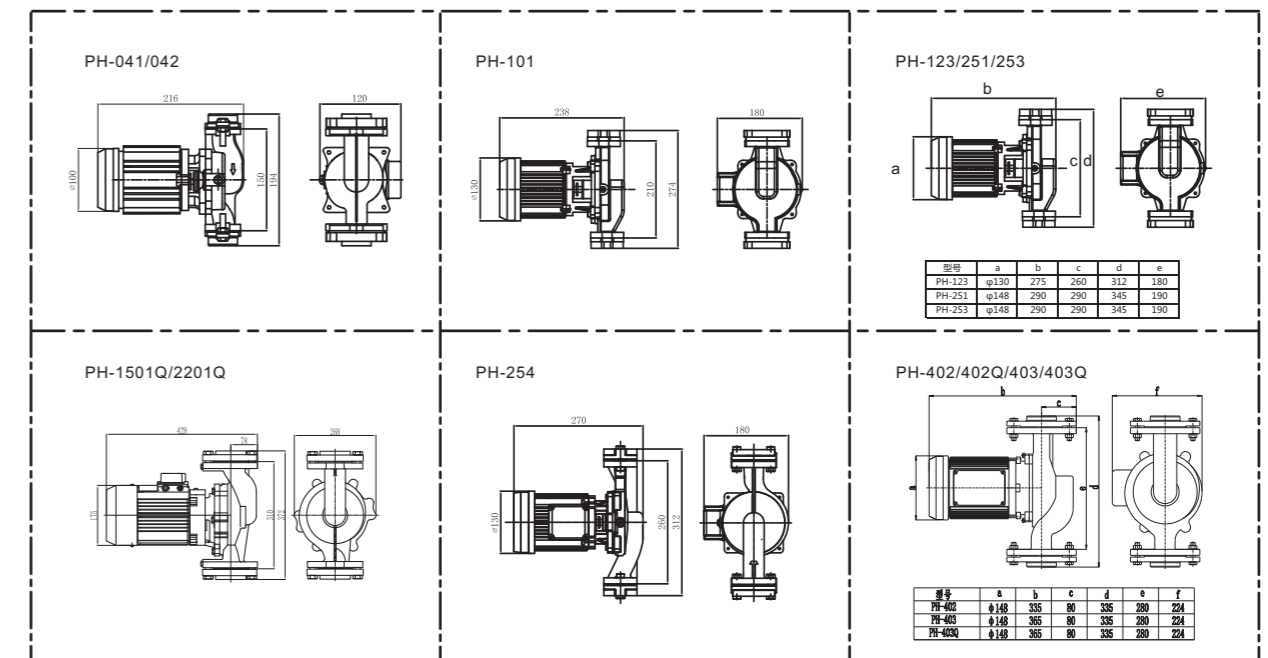
Hot Water Circulating Pump

PH-041/101/123/251/253/254/402/403/403Q/1501Q/2201Q

Performance curve



Outline



Pressure Centrifugal Pump

PUN-200/400/401/600/750/751/1100



PUN-200



PUN-400/401/600/750/751



PUN-1100

Feature :

- 1)Special plating in the interior of pump body , not easy to rust
- 2)Low noise and high head
- 3)Compact structure, light appearance

Application :

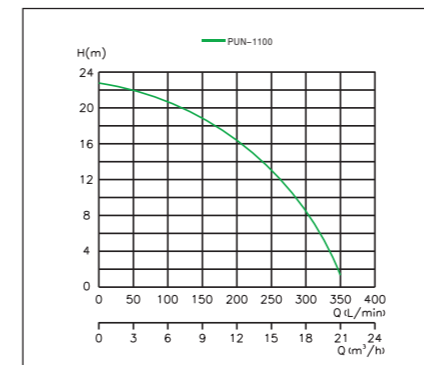
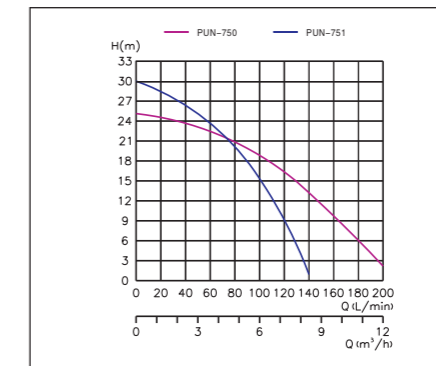
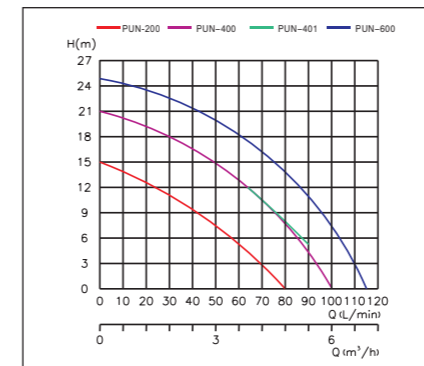
- 1)General water supply for house , garden
- 2)Small HVAC circulation system
- 3)Air source、Solar energy

Specification							
Model	PUN-200	PUN-400	PUN-401	PUN-600	PUN-750	PUN-751	PUN-1100
Electrical connection							
Power source	1-220V/50Hz 3-380V/50Hz						
Input Power (W)	320	720	600	880	1100	1250	1500
Output Power (W)	200	400	400	600	750	750	1100
Applications							
Approved Fluids	Clean Water						
Fluid Temperature (°C)	0-90						0-40
Performance Data							
Max Head (m)	15	21	21	25	25	30	23
Max Flow (L/min)	80	100	90	115	200	125	360
Rated Flow (L/min)	38	50	50	50	110	80	220
Rated Head (m)	10	15	15	20	17.5	20	15
Inlet Size (mm)	25	32	25	25	32	32	50
Outlet Size (mm)	25	32	25	25	32	32	50
Max Pressure (bar)	5.0	5.1	5.0	5.0	4.0	4.0	4.0
Protection class	IP22	IP44	IP44	IP44	IP44	IP44	IP44
Weight (kg)	7	10.5	10.5	12	13	13	13
Materials							
Pump Body	Cast Iron						
Impeller	Engineering plastic						
Shaft	Stainless Steel						
Mechanical Seal	Graphite & Ceramic						

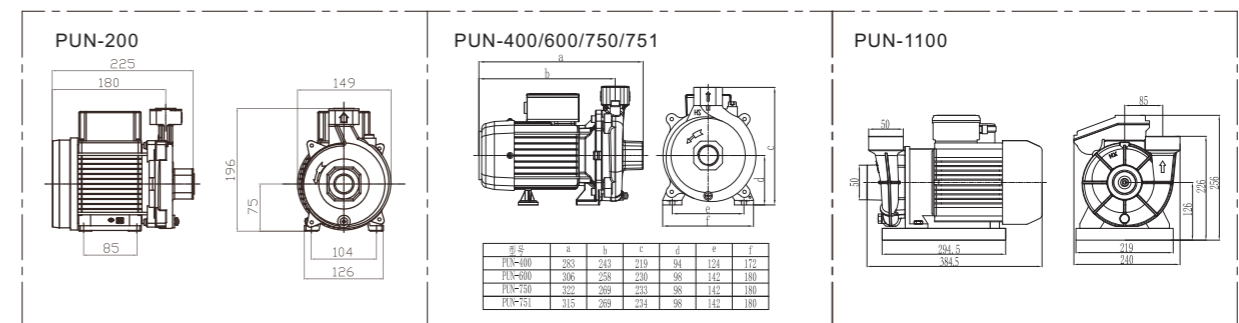
Pressure Centrifugal Pump

PUN-200/400/401/600/750/751/1100

Performance curve



Outline



Horizontal Multistage Centrifugal Pump

MHI200/400/800/MHIL400/800



MHI系列

Feature :

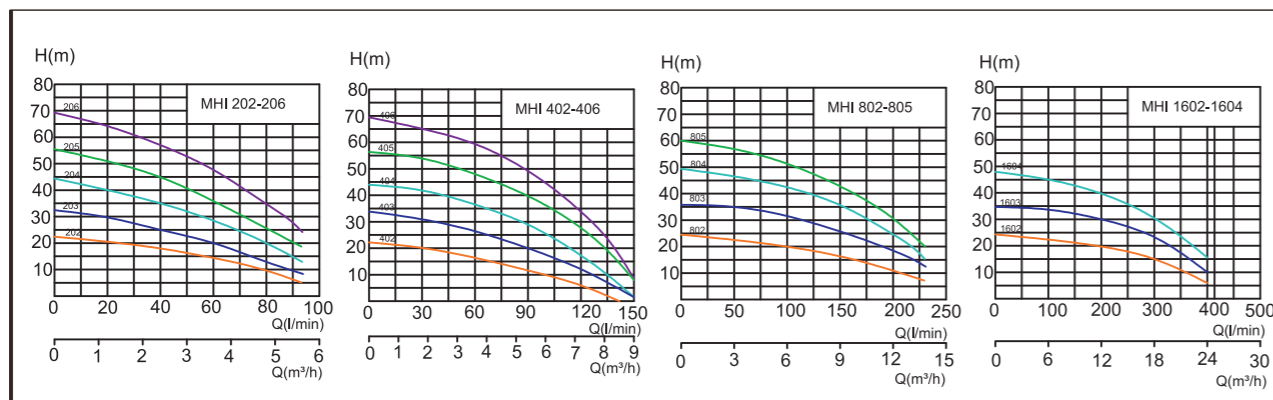
- 1) Stainless material
- 2) Multistage impeller and high head
- 3) Bellows mechanical seal, reliable, easy maintenance

Application :

- 1) Water supply and booster
- 2) Water circulating, heating, AC System
- 3) Industrial circulating system
- 4) For various machinery
- 5) Washing and garden sprinkler system

Specification				
Model	MHI200	MHI400	MHI800	MHI1600
Electrical connection				
Power source	1-220V/50Hz 3-380(220)V/50Hz			
Approved Fluids	Clean Water			
Fluid Temperature (°C)	-15-110			
Performance Data				
Max Head (m)	69	65	59	48
Max Flow (L/min)	83	133	216	433
Max Pressure (bar)	10			
Protection class	IP54			
Materials				
Pump Body	Stainless Steel		Cast Iron	
Impeller	Stainless Steel			
Shaft	Stainless Steel			
Mechanical Seal	Graphite & Ceramic			

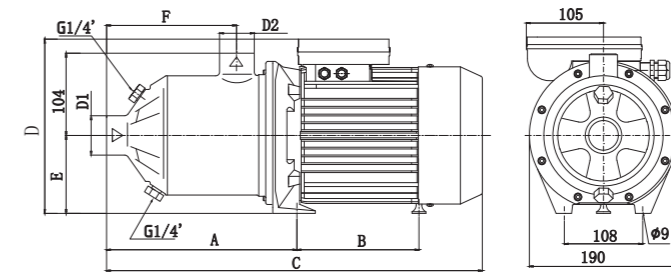
Performance curve



Horizontal Multistage Centrifugal Pump

MHI200/400/800/MHIL400/800

Outline



(Model)	(Rating Power) KW	(Rating Electricity) A			ΦD1	ΦD2	A	B		C		D		E		F	Weight	
		1-220V	3-220V	3-380V				1-220V	3-380V	1-220V	3-380V	1-220V	3-380V	1-220V	3-380(220)V		[kg]	
		[mm]																
MHI202	0.37	2.58	1.89	1.09	1"	1"	205	85	85	378	378	195	190	90	90	110	9.2	—
MHI203	0.55	3.46	2.56	1.48	1"	1"	205	85	85	378	378	195	190	90	90	100	9.2	9.7
MHI204	0.55	3.46	2.56	1.48	1"	1"	253	85	85	428	428	195	190	90	90	158	9.9	10.4
MHI205	0.75	4.85	3.01	1.74	1"	1"	253	85	85	428	428	195	190	90	90	158	16.2	15.3
MHI206	1.10	6.55	4.40	2.54	1"	1"	277	100	100	480	480	210	210	90	90	182	17.7	16.9
MHI402	0.55	3.46	2.56	1.48	1 1/4"	1"	205	85	85	378	378	195	190	90	90	110	12.9	12.9
MHI403	0.55	3.46	2.56	1.48	1 1/4"	1"	205	85	85	378	378	195	190	90	90	110	10.4	9.8
MHI404	0.75	4.85	3.01	1.74	1 1/4"	1"	253	100	85	426	426	210	190	90	90	164	13.6	14.3
MHI405	1.10	6.55	4.40	2.54	1 1/4"	1"	253	100	100	458	426	210	210	90	90	164	15.4	16.3
MHI406	1.50	9.15	6.10	3.52	1 1/4"	1"	277	145	145	505	505	226	226	100	100	182	19.7	18.2
MHI802	0.75	4.85	3.01	1.74	1 1/2"	1 1/4"	217	100	85	420	390	210	190	90	90	122	15.5	14.6
MHI803	1.10	6.55	4.40	2.54	1 1/2"	1 1/4"	217	100	100	420	420	210	210	90	90	122	14.5	15.3
MHI804	1.50	9.15	6.10	3.52	1 1/2"	1 1/4"	277	145	145	505	505	226	226	100	100	182	18.3	18.8
MHI805	1.85	—	6.95	4.01	1 1/2"	1 1/4"	277	—	145	—	508	—	228	—	100	182	—	19.7
MHI1603	1.85	—	6.95	4.01	2"	1 1/2"	237	—	145	—	470	—	206	—	100	138	—	15.7

Horizontal Multistage frequency conversion pump

F-MHI400Q/800Q/1600Q



F-MHI403Q



F-MHI803Q

Features:

- 1) Constant Pressure Automatic water supply for Closed-loop.
- 2) Automatic energy-saving operation
- 3) Multiple protection
- 4) Automatic sleep
- 5) Automatic operation after power recover.

Applications:

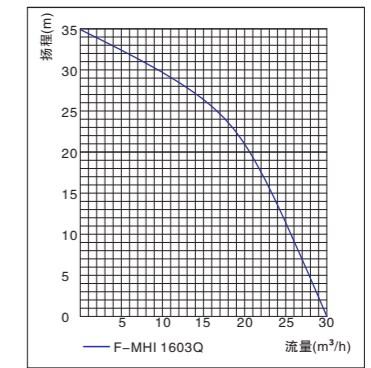
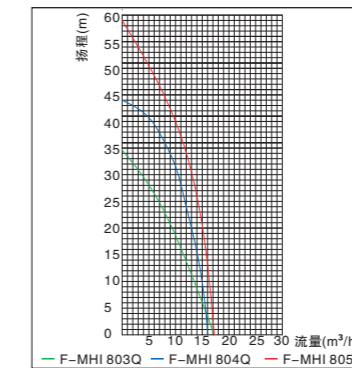
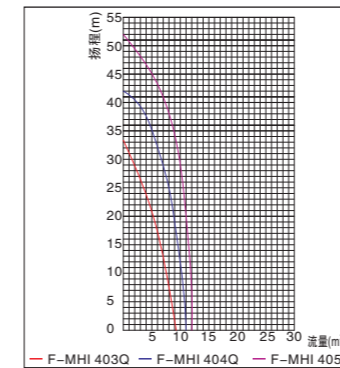
- 1) Domestic and commercial water supply systems
- 2) Boiler feed water system
- 3) Cooling water system

Specification			
Model	F-MHI 400Q	F-MHI 800Q	F-MHI 1600Q
Electrical connection			
Power source	1-220V/50Hz 3-380(220)V/50Hz		
Applications			
Approved Fluids	Clean Water		
Fluid Temperature (°C)	-15°C~110°C		
Performance Data			
Max Head (m)	57	59	36
Max Flow (L/min)	8	12	26
Inlet Size	1 1/4'	1 1/2'	2'
Outlet Size	1'	1 1/4'	1 1/2'
Protection class	IP42		
Max Pressure (bar)	7		

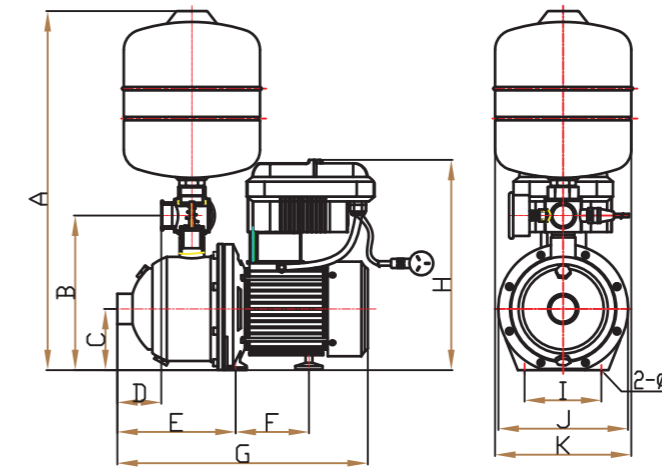
Horizontal Multistage frequency conversion pump

F-MHI400Q/800Q/1600Q

Performance curve



Outline



Model	Rated Power(KW)	A	B	C	D	E	F	G	H	I	J	K
F-MHI403Q	0.55	525	225	90	64.5	205	88	375	308	108	φ 190	200
F-MHI404Q	0.75	525	225	90	101	253	88	426	308	108	φ 190	200
F-MHI405Q	1.1	565	225	90	101	253	100	250	316	108	φ 190	200
F-MHI803Q	1.1	570	226.5	90	76.5	217	100	410	316	108	φ 190	200
F-MHI804Q	1.5	570	228	90	137	275	120	511	331	108	φ 190	200
F-MHI805Q	1.85	570	228	90	137	275	120	511	331	108	φ 190	200
F-MHI1603Q	1.85	570	228	90	89.5	231	120	432	331	108	φ 190	200

